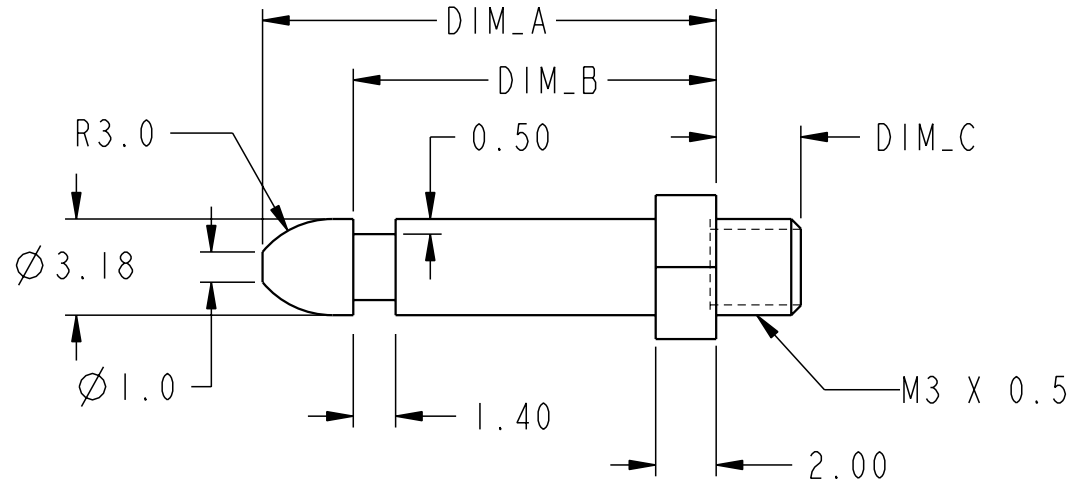
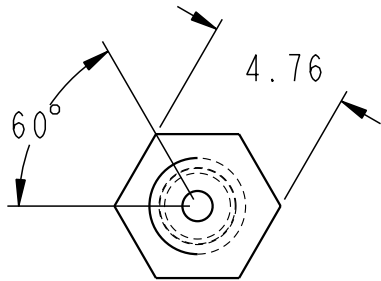


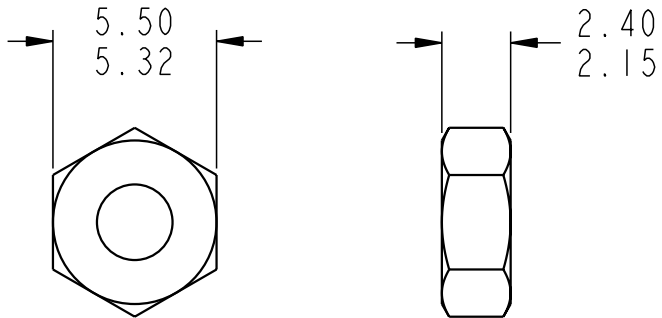
1	2	3	4
PRODUCT NUMBER*	DIM_A	DIM_B	DIM_C
10022830-001	15.00	12.00	2.80
10022830-002	16.55	13.55	3.00
10022830-003	15.00	12.00	12.30

\*SEE NOTE 1



NOTES:

① AN M3 NUT MAY BE INCLUDED WITH THE GUIDE PIN BY ADDING A SUFFIX "N" TO THE PART NUMBER, EXAMPLE: 10022830-001N



M3 HEX NUT (NOTE 1)

TOLERANCES UNLESS OTHERWISE SPECIFIED		rev	ecn no	dr	date
LINEAR	0.X ±.3	A	V03-0847	GIP	08/04/03
	0.XX ±.10	B	V04-0596	TAB	06/07/04
	0.XXX ±.050	C	V04-0670	TAB	06/23/04
ANGULAR	0° ±2°	D	V04-0722	TAB	07/15/04

<b>FCI</b> www.fciconnect.com		surface 1.6 ASME Y14.5	tolerance ASME Y14.5	projection MM
Dr	D.CHOVANEC	4/18/03	Product family	MICROPAX
Eng	J.ESPINOZA	4/18/03	Spec ref	
Chr	C. GROSS	4/18/03	Material	303 STAINLESS STEEL
Appr	C. GROSS	4/18/03	size	A4
			ECN	V04-0596
title			MICROPAX GUIDE PIN	Scale 4:1
catalog no			10022830	Rev. D
			CUSTOMER	sheet 1 of 3

Tous droits strictement reserves. Reproduction ou communication a des tiers interdite sous quelque forme que ce soit sans autorisation écrite du propriétaire. Propriete de c FCI. Droits de reproduction FCI.

**FCI**

All rights strictly reserved. Reproduction or issue to third parties in any form whatever is not permitted without written authority from the proprietor. Property of FCI. Copyright FCI.

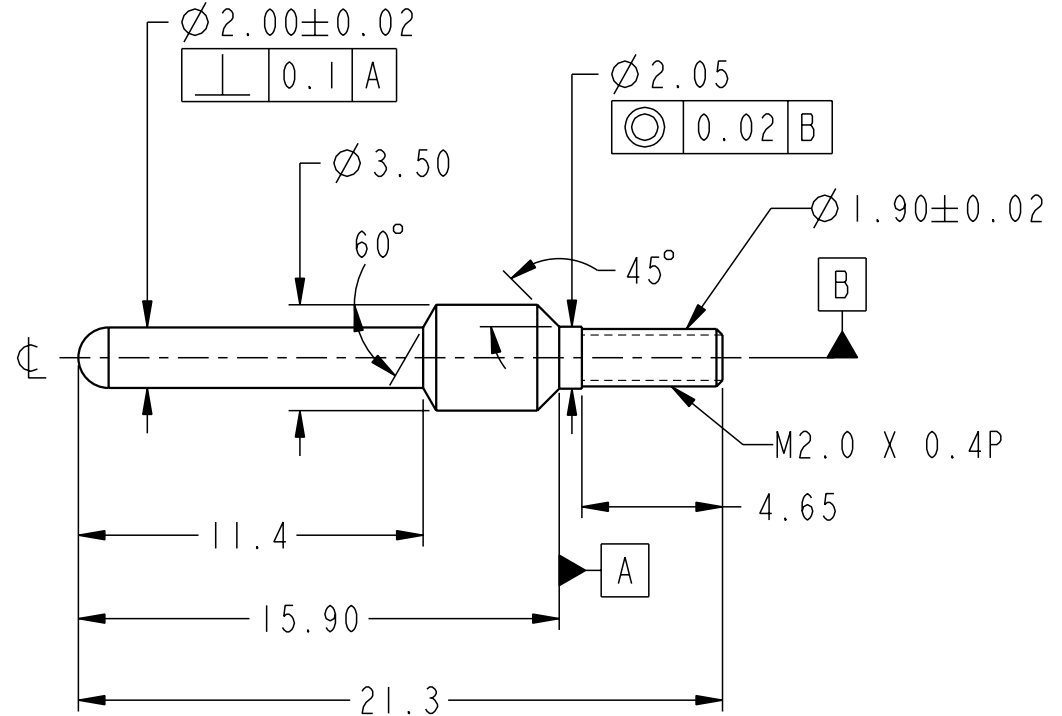
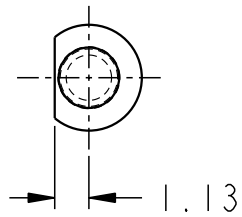
PRODUCT NUMBER

10022830-004

Tous droits strictement réservés. Reproduction ou communication à des tiers interdite sous quelque forme que ce soit sans autorisation écrite du propriétaire. Propriété de FCI. Droits de reproduction FCI.

**A**  
**FCI**

All rights strictly reserved. Reproduction or issue to third parties in any form whatever is not permitted without written authority from the proprietor. Property of FCI. Copyright FCI.



title	MICROPAX GUIDE PIN	dwg no	10022830	Rev.	D
catalog no	-	CUSTOMER	sheet 2 of 3		

**PDM: Rev:D**

STATUS: **Released**

4 Printed: Sep 17, 2008

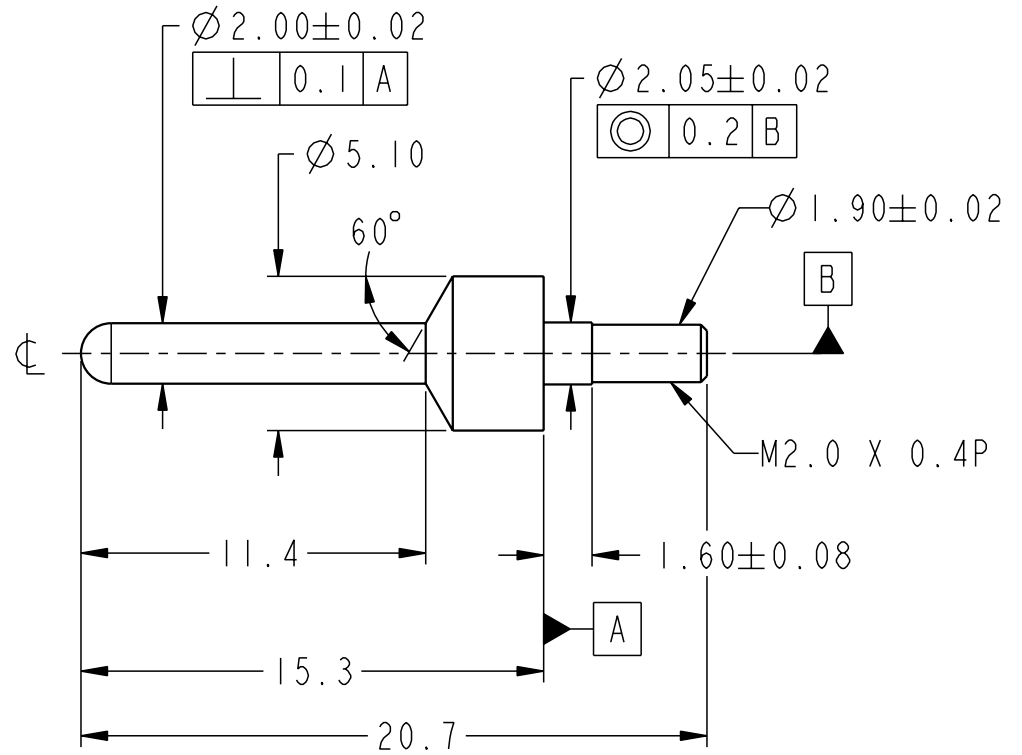
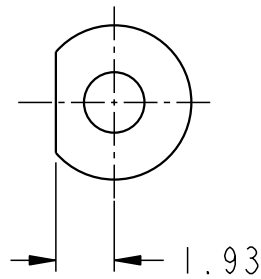
PRODUCT NUMBER

10022830-005

Tous droits strictement reserves. Reproduction ou communication a des tiers interdite sous quelque forme que ce soit sans autorisation écrite du propriétaire. Propriete de c FCI. Droits de reproduction FCI.

**A**  
**FCI**

All rights strictly reserved. Reproduction or issue to third parties in any form whatever is not permitted without written authority from the proprietor. Property of FCI. Copyright FCI.



title	MICROPAX GUIDE PIN	dwg no	10022830	Rev.	D
catalog no	-	CUSTOMER	sheet 3 of 3		

**PDM: Rev:D**

STATUS: **Released**

4 Printed: Sep 17, 2008